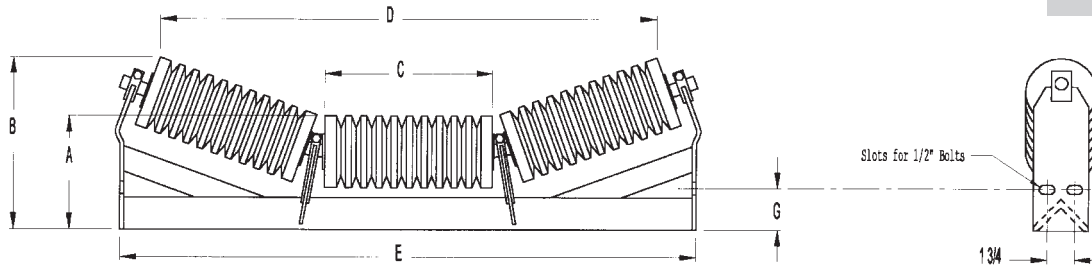


3-Roll Rubber-Impact Rollers 20-Degree

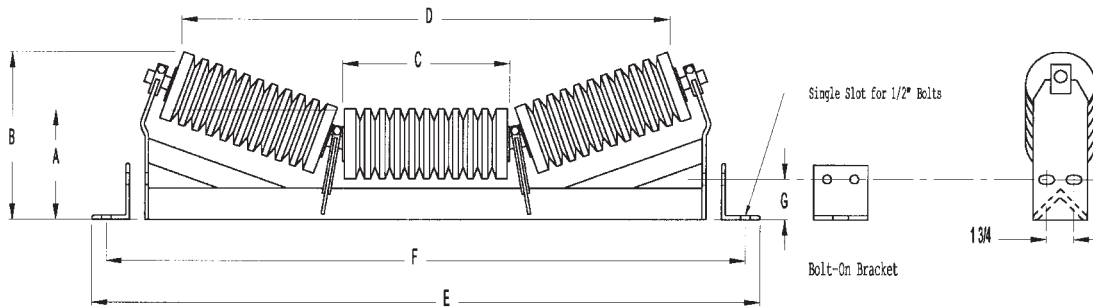
4 1/2" Dia. Rollers, Sealed for Life Bearings

Inside Mount



Belt Width	Part Number	A	B	C	D	E	G	Rollers	Center Pins	End Pins	Weight in lbs
18	MJ1820I	8 1/2	10 3/4	6 1/2	19 1/2	24	1	R450608	SS4584	SS4581	48
24	MJ2420I	7 7/8	10 7/8	8 1/2	25 1/2	30	1	R450808	SS4584	SS4581	55
30	MJ3020I	7 1/8	10 7/8	10 1/2	31	36	2	R451008	SS4584	SS4581	64
36	MJ3620I	7 1/8	11 1/2	12 1/2	37	42	2	R451208	SS4584	SS4581	73
42	MJ4220I	7	12	14 1/2	42 3/4	48	2	R451408	SS4584	SS4581	82
48	MJ4820I	7	12 3/4	16 1/2	48 3/8	54	2	R451608	SS4584	SS4581	96

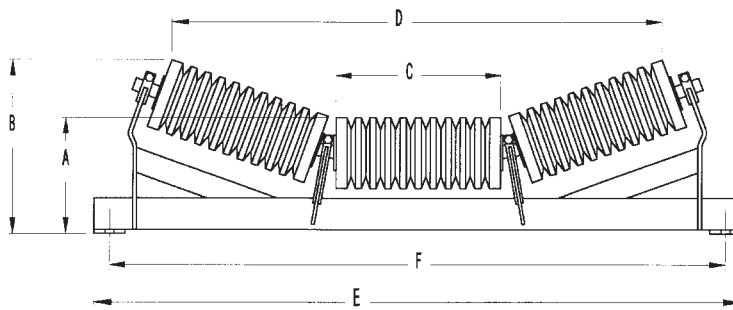
Top-Mount Single Hole



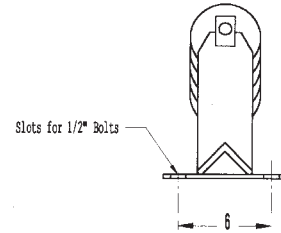
Belt Width	A	B	C	D	G	Part Number	E	F	Bracket	Part Number	E	F	Bracket	Rollers	Center Pins	End Pins	Weight in lbs
18	8 1/2	10 3/4	6 1/2	19 1/2	1	MJ1820I-1	28	26	TRB121	MJ1820I-2	29	27	TRB122	R450608	SS4584	SS4581	49
24	7 7/8	10 7/8	8 1/2	25 1/2	1	MJ2420I-1	34	32	TRB121	MJ2420I-2	35	33	TRB122	R450808	SS4584	SS4581	56
30	7 1/8	10 7/8	10 1/2	31	2	MJ3020I-1	40	38	TRB123	MJ3020I-2	41	39	TRB124	R451008	SS4584	SS4581	65
36	7 1/8	11 1/2	12 1/2	37	2	MJ3620I-1	46	44	TRB123	MJ3620I-2	47	45	TRB124	R451208	SS4584	SS4581	74
42	7	12	14 1/2	42 3/4	2	MJ4220I-1	52	50	TRB123	MJ4220I-2	53	51	TRB124	R451408	SS4584	SS4581	83
48	7	12 3/4	16 1/2	48 3/8	2	MJ4820I-1	58	56	TRB123	MJ4820I-2	59	57	TRB124	R451608	SS4584	SS4581	97

3-Roll Rubber-Impact Rollers 20-Degree

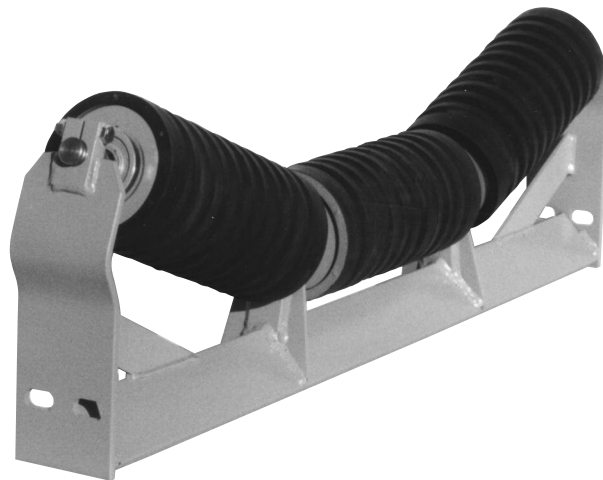
4 1/2" Dia. Rollers, Sealed for Life Bearings



Top-Mount Double Hole



Belt Width	Part Number	A	B	C	D	E	F	Rollers	Center Pins	End Pins	Weight in lbs
18	MJST1820I	7 1/4	9 1/2	6 1/2	19 1/2	29	27	R450608	SS4585	SS4581	49
24	MJST2420I	7 1/4	10 1/4	8 1/2	25 1/2	35	33	R450808	SS4585	SS4581	56
30	MJST3020I	7 1/4	10 7/8	10 1/2	31	41	39	R451008	SS4585	SS4581	65
36	MJST3620I	7 1/4	11 1/2	12 1/2	37	47	45	R451208	SS4585	SS4581	74
42	MJST4220I	7 1/4	12 1/4	14 1/2	42 3/4	53	51	R451408	SS4585	SS4581	83
48	MJST4820I	7 1/4	13	16 1/2	48 3/8	59	57	R451608	SS4585	SS4581	97



MJ3020I